



Data sheet · Hena 1000

**Hena 1000, 3-phase motor, 380-
415/690 V, 50 Hz**

Powerful rotary vane pump with a pumping speed up to 1200 m³/h

Hena 1000, 3-phase motor, 380-415/690 V, 50 Hz

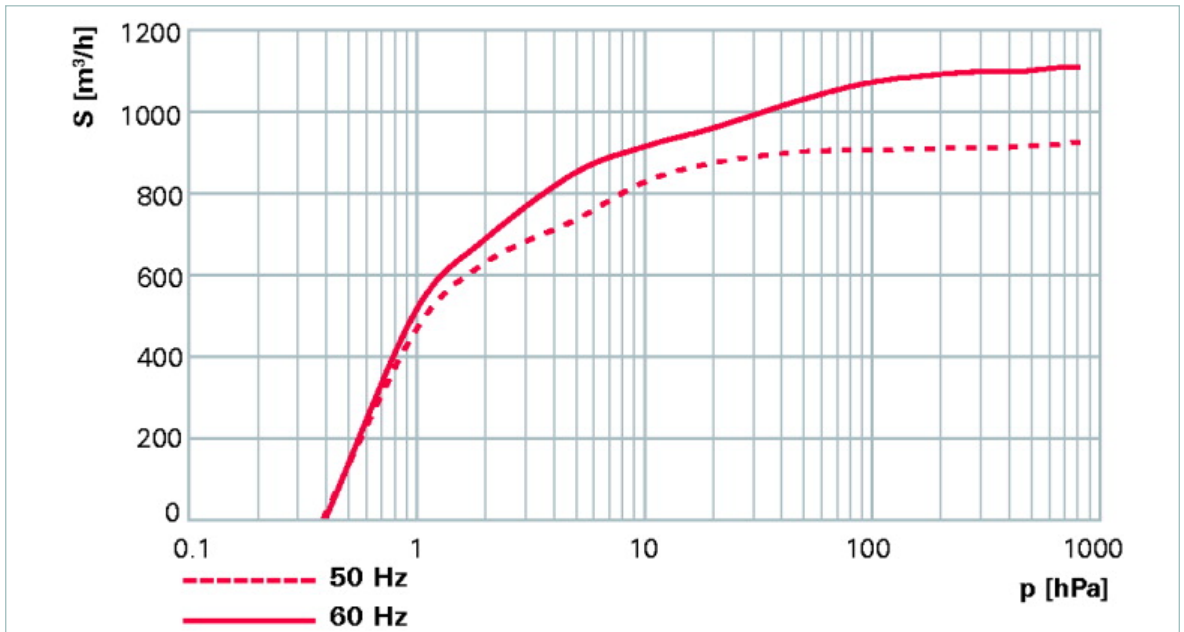
Hena 1000



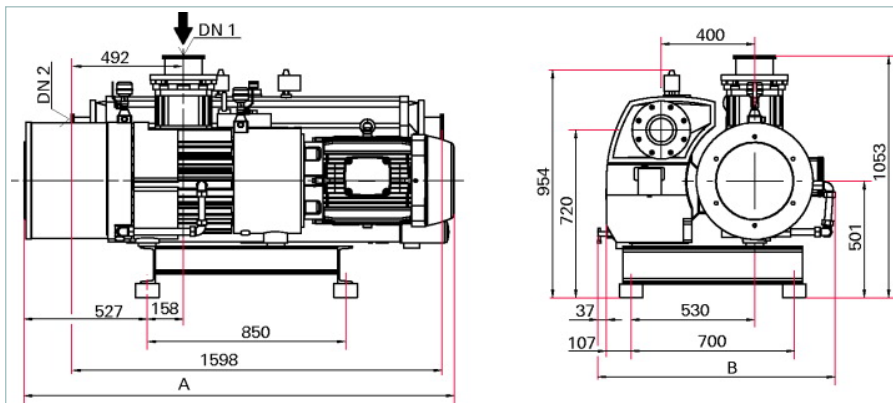
Similar Image

- Powerful rotary vane pump with a pumping speed up to 1200 m³/h
- With IE2 motor
- Integrated gas ballast and high vacuum safety valve
- For all low and medium vacuum applications

Characteristics



Dimensions



A	1841 mm
B	1019 mm
DN 1	DN 160 ISO-K
DN 2	DN 100 ISO-K

Hena 1000, 3-phase motor, 380-415/690 V, 50 Hz

Technical Data	Hena 1000, 3-phase motor, 380-415/690 V, 50 Hz
Cooling method, optional	Water
Cooling method, standard	Air
Emission sound pressure level without gas ballast at 50 Hz	<= 82 dB (A)
Flange (in)	DN 160 ISO-K
Flange (out)	DN 100 ISO-K (2 x)
Mains requirement: voltage 50 Hz	380-415/690 V
Motor protection	3TF
Operating fluid	P3
Operating fluid filling	30 l
Protection category	IP 55
Pumping speed at 50 Hz	1000 m ³ /h
Rated power 50 Hz	22 kW
Rotation speed at 50 Hz	1000 min ⁻¹
Ultimate pressure with gas ballast	1.2 hPa
Ultimate pressure without gas ballast	1 hPa
Weight	1200 kg

Order number	PKD02700
---------------------	-----------------

Accessories HenaLine

SAS 160, DN 160 ISO-K, polyester filter	PKZ60514
---	-----------------

Accessories UnoLine[®]; Plus

PTC-resistor tripping device	P4768051FQ
------------------------------	-------------------

Consumables

	Hena 1000, 3-phase motor, 380-415/690 V, 50 Hz
P3, mineral oil, 1 l	PK001106-T
P3, mineral oil, 5 l	PK001107-T
P3, mineral oil, 20 l	PK001108-T
P3, mineral oil, 50 l	PK001109-T

**Vacuum solutions
from a single source**

Pfeiffer Vacuum stands for innovative and custom vacuum solutions worldwide, technological perfection, competent advice and reliable service.

**Complete range
of products**

From a single component to complex systems:
We are the only supplier of vacuum technology
that provides a complete product portfolio.

**Competence in
theory and practice**

Benefit from our know-how and our portfolio of training
opportunities! We support you with your plant layout
and provide first-class on-site service worldwide.

**Are you looking for a
perfect vacuum solution?
Please contact us:**

Pfeiffer Vacuum GmbH
Headquarters · Germany
T +49 6441 802-0
info@pfeiffer-vacuum.de
www.pfeiffer-vacuum.com