

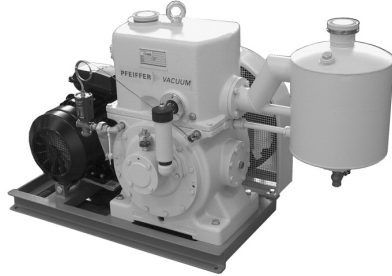
Data sheet - BA 501

BA 501, 3-phase motor, 220-240/380-420 V, 50 Hz, without HV safety valve

Single-stage, high-performance rotary vane pump with a pumping speed of 500 m³/h

BA 501, 3-phase motor, 220-240/380-420 V, 50 Hz, without HV safety valve

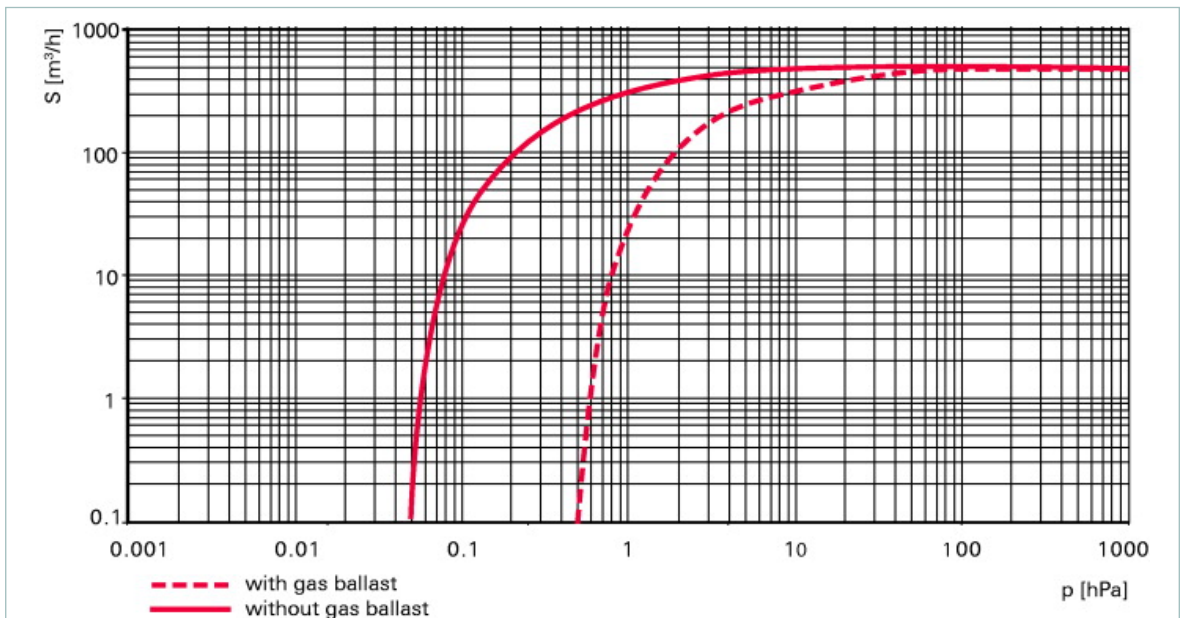
BA 501



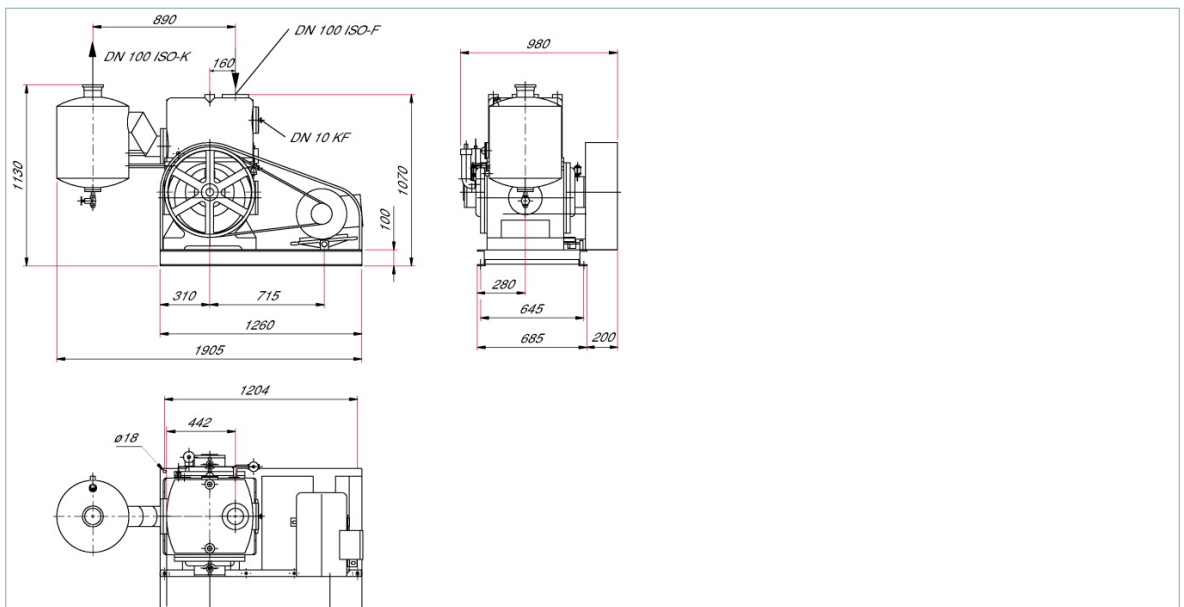
Similar Image

- Single-stage, high-performance rotary vane pump with a pumping speed of 500 m³/h
- 3-phase motor for 220-240 V (± 5 %), 50 Hz or 380-420 V (± 5 %), 50 Hz supply voltages
- Process integrity thanks to integrated gas ballast valve
- Without HV safety valve
- For low and medium vacuum applications

Characteristics



Dimensions



BA 501, 3-phase motor, 220-240/380-420 V, 50 Hz, without HV safety valve

Technical Data	BA 501, 3-phase motor, 220-240/380-420 V, 50 Hz, without HV safety valve
Ambient temperature	12-40 °C
Cooling method, standard	Water
Cooling water consumption	> 90 l/h
Cooling water pressure	200-1000 kPa
Cooling water temperature	10-30 °C
Emission sound pressure level without gas ballast at 50 Hz	<= 65 dB (A)
Exhaust pressure, max.	1500 hPa
Exhaust pressure, min.	Atmospheric pressure
Flange (in)	DN 100 ISO-F
Flange (out)	DN 100 ISO-K
Mains requirement: voltage (range)	220-240/380-420 V (± 5 %) 50 Hz
Mains requirement: voltage 50 Hz	230/400 V
Motor protection	3TF
Nominal rotation speed at 50 Hz	1500 min ⁻¹
Operating fluid	P3
Operating fluid filling	45 l
Protection category	IP 55
Pumping speed at 50 Hz	500 m ³ /h
Rated power 50 Hz	15 kW
Rotation speed at 50 Hz	345 min ⁻¹
Temperature: Operating	80 °C
Ultimate pressure with gas ballast	1 hPa
Ultimate pressure without gas ballast	6 · 10 ⁻² hPa
Weight: with motor	1100 kg

Order number	PKC43602
---------------------	-----------------

Accessories DuoLine™

KAS 100, condensate separator for pumping speeds up to 630 m ³ /h	PKZ10012
Oil return unit, ORF 005, standard version	PKZ90065
SAS 16, DN 16 ISO-KF, polyester filter	PKZ60506

Accessories HenaLine

Operating fluid temperature switch	PK100125
SAS 100, DN 100 ISO-K, polyester filter	PKZ60512

BA 501, 3-phase motor, 220-240/380-420 V, 50 Hz, without HV safety valve

Accessories UnoLine®; Plus

Cooling water connection unit for BA 251/501	PK133100-T
FAK 100, activated carbon filter	PKZ30012
ONF 160, oil mist filter for pumping speeds of up to 500 m ³ /h	PKZ40014
Operating fluid level monitoring, 24 V DC for BA 251/501	PK133115-T
Pressure monitor for cooling water circulation system BA 251/501	P4747161MF
PTC-resistor tripping device	P4768051FQ

Angle valves, electropneumatic, with PI, with PV, DN 63 to 160 ISO-K

EVB 100 PA, Angle valve with position indicator (PI), with pilot valve (PV), 24 V DC	PFB28201
--	----------

Consumables

	BA 501, 3-phase motor, 220-240/380-420 V, 50 Hz, without HV safety valve
P3, mineral oil, 1 l	PK001106-T
P3, mineral oil, 5 l	PK001107-T
P3, mineral oil, 20 l	PK001108-T
P3, mineral oil, 50 l	PK001109-T

**Vacuum solutions
from a single source**

Pfeiffer Vacuum stands for innovative and custom vacuum solutions worldwide, technological perfection, competent advice and reliable service.

**Complete range
of products**

From a single component to complex systems:
We are the only supplier of vacuum technology
that provides a complete product portfolio.

**Competence in
theory and practice**

Benefit from our know-how and our portfolio of training opportunities! We support you with your plant layout and provide first-class on-site service worldwide.

**Are you looking for a
perfect vacuum solution?
Please contact us:**

Pfeiffer Vacuum GmbH
Headquarters · Germany
T +49 6441 802-0
info@pfeiffer-vacuum.de
www.pfeiffer-vacuum.com