

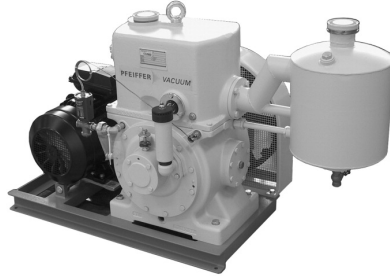
## Data sheet · BA 251

**BA 251, 3-phase motor, 220-240/380-420 V, 50 Hz, without HV safety valve**

**Single-stage, high-performance rotary vane pump with a pumping speed of 250 m<sup>3</sup>/h**

## BA 251, 3-phase motor, 220-240/380-420 V, 50 Hz, without HV safety valve

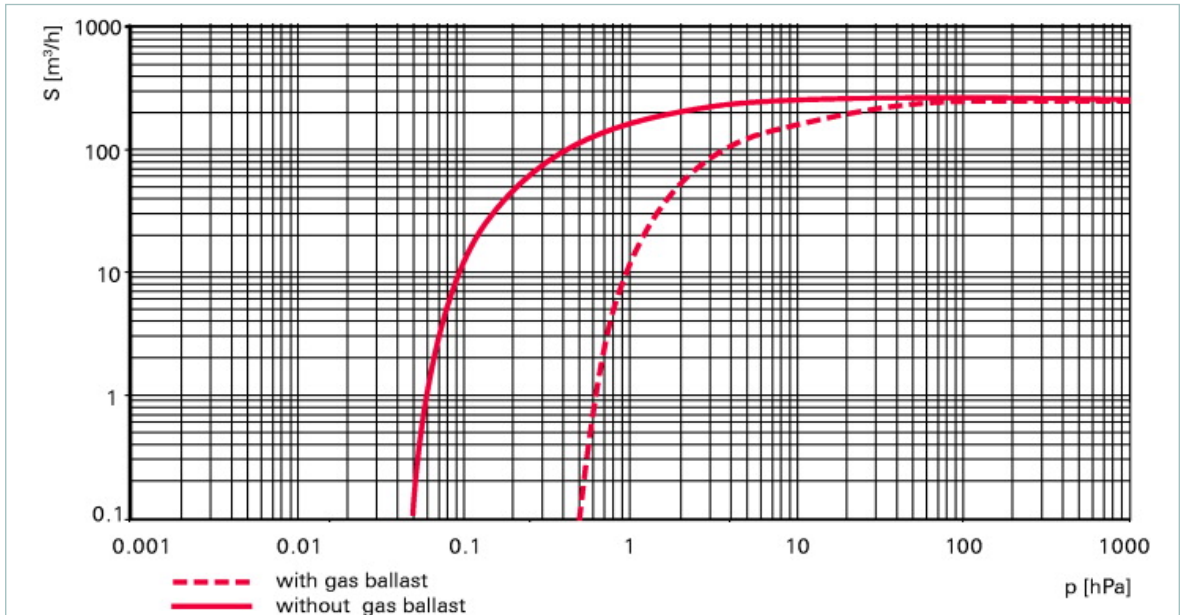
### BA 251



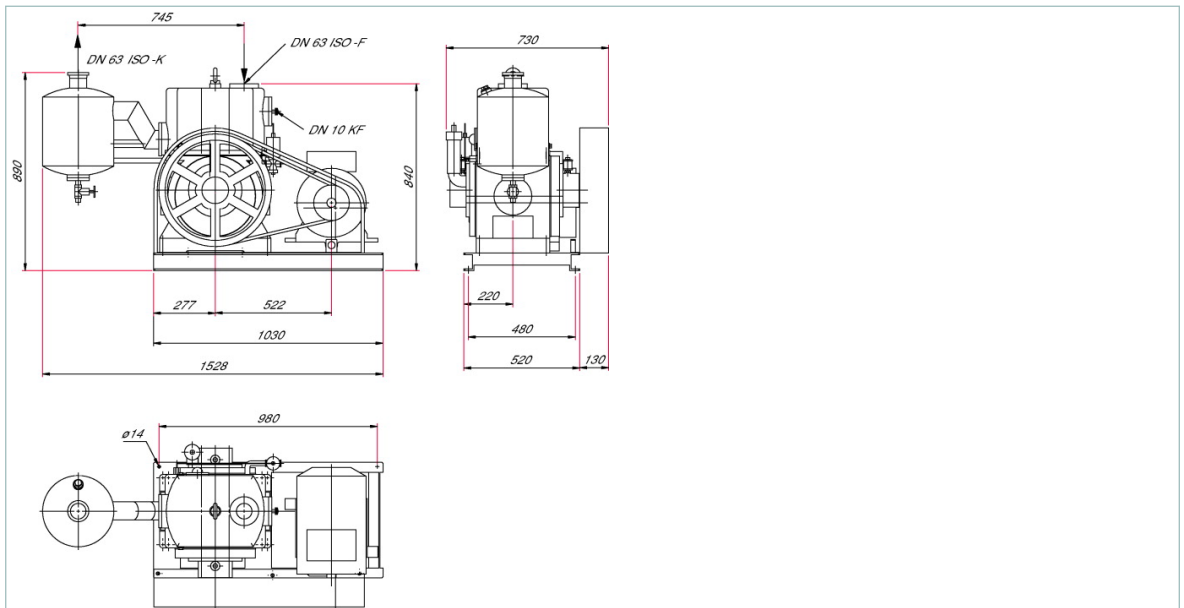
Similar Image

- Single-stage, high-performance rotary vane pump with a pumping speed of 250 m<sup>3</sup>/h
- 3-phase motor for 220-240 V, 50 Hz or 380-420 V, 50 Hz supply voltages
- Process integrity thanks to integrated gas ballast valve
- Without HV safety valve
- For low and medium vacuum applications
- Other motor voltages available on request

### Characteristics



### Dimensions



## BA 251, 3-phase motor, 220-240/380-420 V, 50 Hz, without HV safety valve

Technical Data	BA 251, 3-phase motor, 220-240/380-420 V, 50 Hz, without HV safety valve
Ambient temperature	12-40 °C
Cooling method, standard	Water
Cooling water consumption	> 50 l/h
Cooling water pressure	200-1000 kPa
Cooling water temperature	10-30 °C
Emission sound pressure level without gas ballast at 50 Hz	<= 63 dB (A)
Exhaust pressure, max.	1500 hPa
Exhaust pressure, min.	Atmospheric pressure
Flange (in)	DN 63 ISO-F
Flange (out)	DN 63 ISO-K
Mains requirement: voltage (range)	220-240/380-420 V (± 5 %) 50 Hz
Mains requirement: voltage 50 Hz	230/400 V
Motor protection	3TF
Nominal rotation speed at 50 Hz	1500 min <sup>-1</sup>
Operating fluid	P3
Operating fluid filling	17 l
Protection category	IP 55
Pumping speed at 50 Hz	250 m <sup>3</sup> /h
Rated power 50 Hz	11 kW
Rotation speed at 50 Hz	490 min <sup>-1</sup>
Temperature: Operating	80 °C
Ultimate pressure with gas ballast	1 hPa
Ultimate pressure without gas ballast	6 · 10 <sup>-2</sup> hPa
Weight: with motor	570 kg

<b>Order number</b>	<b>PKC42602</b>
---------------------	-----------------

### Accessories DuoLine&trade;

KAS 63, condensate separator for pumping speeds up to 250 m <sup>3</sup> /h	<b>PKZ10010</b>
KLF 063, cold trap	<b>PKZ80010</b>
Oil return unit, ORF 005, standard version	<b>PKZ90065</b>
ONF 100, oil mist filter for pumping speeds up to 300 m <sup>3</sup> /h	<b>PKZ40012</b>
SAS 16, DN 16 ISO-KF, polyester filter	<b>PKZ60506</b>
ZFO 063, zeolite trap	<b>PKZ70010</b>

## BA 251, 3-phase motor, 220-240/380-420 V, 50 Hz, without HV safety valve

### Accessories HenaLine

Operating fluid temperature switch	PK100125
SAS 63, DN 63 ISO-K, polyester filter	PKZ60511

### Accessories UnoLine&trade; Plus

Cooling water connection unit for BA 251/501	PK133100-T
FAK 063, activated carbon filter	PKZ30010
Operating fluid level monitoring, 24 V DC for BA 251/501	PK133115-T
Pressure monitor for cooling water circulation system BA 251/501	P4747161MF
PTC-resistor tripping device	P4768051FQ

### Angle valves, electropneumatic, with PI, with PV, DN 63 to 160 ISO-K

EVB 063 PA, Angle valve with position indicator (PI), with pilot valve (PV), 24 V DC	PFB18201
--	----------

### Consumables

	<b>BA 251, 3-phase motor, 220-240/380-420 V, 50 Hz, without HV safety valve</b>
P3, mineral oil, 1 l	PK001106-T
P3, mineral oil, 5 l	PK001107-T
P3, mineral oil, 20 l	PK001108-T
P3, mineral oil, 50 l	PK001109-T

**Vacuum solutions  
from a single source**

Pfeiffer Vacuum stands for innovative and custom vacuum solutions worldwide, technological perfection, competent advice and reliable service.

**Complete range  
of products**

From a single component to complex systems:  
We are the only supplier of vacuum technology  
that provides a complete product portfolio.

**Competence in  
theory and practice**

Benefit from our know-how and our portfolio of training  
opportunities! We support you with your plant layout  
and provide first-class on-site service worldwide.

**Are you looking for a  
perfect vacuum solution?  
Please contact us:**

**Pfeiffer Vacuum GmbH**  
Headquarters · Germany  
T +49 6441 802-0  
info@pfeiffer-vacuum.de  
[www.pfeiffer-vacuum.com](http://www.pfeiffer-vacuum.com)